

MRC 1100

7" Rugged Tablet PC with Intel® Atom™ Processor/ Daylight Readable Display
4-Wires Resistive Touch Screen, Wi-Fi, Bluetooth, GPS, WWAN



Main Features

- 7" WVGA TFT LCD with LED backlight
- Intel® Atom™ Z530 1.6GHz processor
- Daylight readable LCD display
- Full QWERTY keyboard w/ number pad
- Built-in fingerprint reader for data security
- Support high performance dual-band Wi-Fi
- Support multi-mode and multi-band WWAN
- Integrated 2D barcode scanner (Optional)
- Integrated MSR module (Optional)
- Support hot swappable extended battery pack
- Compliance with IP65 and MIL-STD-810F

Product Overview

MRC 1100, rugged tablet PC, features 7-inch WVGA TFT LCD with the daylight readable solution and low power processor. Its full communication capability including Wi-Fi 802.11 a/b/g/n and 3.5G WWAN makes seamless communication among the fields and control center. It also reserves the design to equip barcode scanner and MSR for the demand of data collection. Its ergonomics design with the full QWERTY keyboard allows easy operation for field mobile worker. More accessible IO interfaces can be extended via the docking port. MRC 1100 is a powerful device for mobile workers to increase the efficiency and productivity.

Specifications

CPU & Chipset

- Intel® Atom™ processor Z530 (1.6GHz) with 512-KB on-die L2 cache
- Intel® US15W

Memory

- 2GB DDR2 SDRAM

Storage

- Built-in 64GB Solid State Disk

Audio

- Intel® high definition audio
- AC '97 Compatible
- 2 x 1W build-in speakers
- 1 x iPhone compatible audio jack (line-out/ mic-in)

Display

- 7-inch Transflective TFT LCD panel with LED backlight
- Resolution: 800 x 480 pixels (WVGA)
- Luminance: 500nits
- Contrast: 400:1
- 4-wire resistive touch screen
- Anti-reflection treatment
- Support for finger touch and stylus

I/O Interface

- 2 x USB 2.0 host type A connector
- 1 x 19V DC power input
- 1 x Docking connector
- 1 x SIM card slot located under battery
- 1 x External Li-ion battery connector on rear panel
- 2 x MMCX type RF connectors support WWAN and GPS remote antenna kits

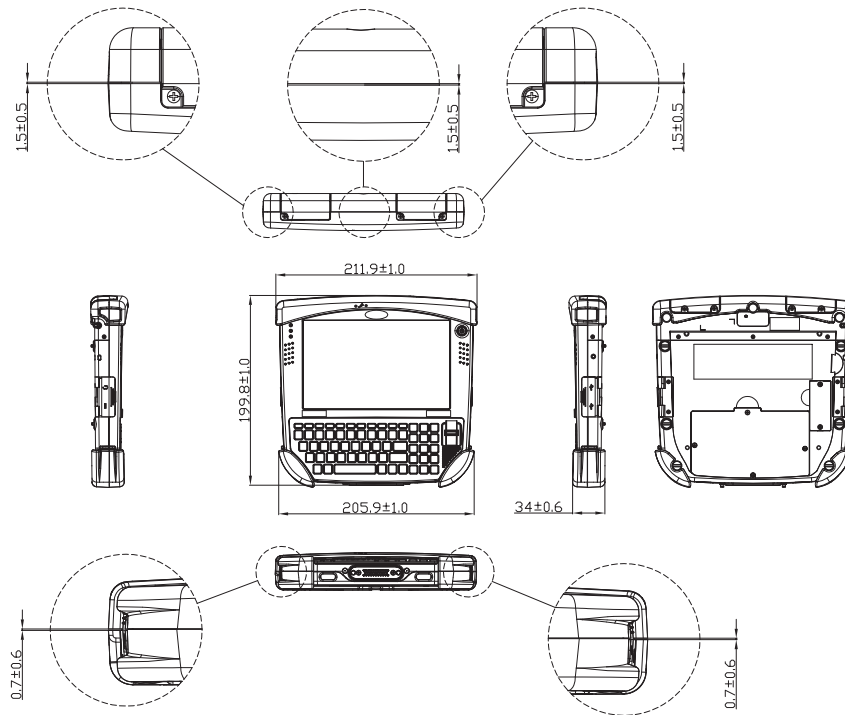
Communication

- 1 x Class 2 Bluetooth Module V 2.1 + EDR
- 1 x WLAN 802.11 a/b/g/n module with built-in antenna
- 1 x WWAN module

Data Capture

- 1x 2.0M pixel autofocus Camera
- 1 x GPS module
- 1 x MSR Module (optional)
- 1 x 2D Barcode scanner (optional)

Dimension Drawing



Indicators and Buttons

- 4 x LED indicators-Power on/ off, Storage, Wi-Fi and battery
- Full QWERTY keyboard w/ number pad
 - backlit
 - 10 single touch function keys
- Biometric mouse
- Finger print reader
- 1 x Power button on front panel
- 1 x Reset button on front panel

Power Input & Battery

- Power input voltage: DC 19V/3.42A
- AC adapter: 100V-240V AC, 47Hz/63Hz
- Rechargeable lithium ion smart battery pack
- Battery life:
 - Primary Battery: 3 hours
 - Primary with 42Whr extended battery: 7 hours
 - Primary with 62Whr extended battery: 11 hours

Dimension

- 206mm x 200mm x34mm (8.1"x7.9"x1.3")
- 0.99kg, 2.2lb with integrated battery

Enclosure

- Magnesium case with plastic upper housing
- Color: Front housing Blue
Rear housing Grey

Environment

- Operating temperatures: -20°C to 50°C
- Storage temperature: -30°C to 60°C
- Relative humidity: 5% to 95% non-condensing

Rugged Grade

- IP65
- Compliance with MIL-STD-810F (Vibration & Shock)
- 4 feet drop

Operating System

- WES2009
- WES7
- Windows 7 Pro Embedded

Certifications

- CE approval
- FCC class B

Ordering Information

♦ MRC 1100 (P/N: 10U00110000X0)

7" Rugged tablet PC with Intel Atom 1.6GHz processor/ 64GB SSD/ 2GB memory/ daylight readable touch/ 4-wires touch screen/ Wi-Fi/ Bluetooth/ GPS/ WWAN

♦ Optional Device Module

Part No.	Description
TBD	MRC100-MSR Magnetic Stripe Reader
TBD	MRC 1000-BCI 2D imager

♦ Optional Accessories

Part No.	Description
10UK10DTC00X0	MTK 10-DTC Desktop cradle
10UK10VMC00X0	MTK 10-VMC Vehicle cradle
10UK10SBC00X0	MTK 10-SBC 4 slots Battery charge
4ZTSA12901X00	Secondary Battery Pack 3S3P/42Whr
4ZTSA18901X00	Secondary Battery Pack 3S3P/62Whr
7400060010X00	Vehicle Cigarette Adapter