



PENT.

X

Muhammad Ali

MUHAMMAD ALI

WHEN HISTORY MEETS FUTURE

Vintage Brown Boxing Gloves

Handcrafted boxing gloves made from premium full-grain leather, meticulously cut and stitched by hand. The ergonomic shape ensures a natural fist position, secure wrist support, and exceptional impact absorption. Created in a limited series, each pair embodies refined craftsmanship and pays tribute to the legacy of Muhammad Ali through Pent's signature aesthetic.

MATERIAL

Finest Natural leather
- thickness 0,8-1 mm



Vintage Brown Punch Mitts

Handcrafted training pads made from top-grade full-grain leather, designed for precision, speed, and impact control. Their curved, ergonomic shape ensures a secure grip for the coach and optimal striking angles for the athlete. Reinforced padding absorbs even the sharpest punches, while the vintage-inspired finish pays homage to the golden era of boxing and the legacy of Muhammad Ali.

MATERIAL

Finest Natural leather
- thickness 0,8-1 mm

SIZES

S | M | L



Vintage Black Boxing Wraps

High-compression hand wraps for wrist stability and knuckle protection. Made from a durable, breathable elastic that maintains tension, reduces slippage, and delivers consistent support during intense training.

MATERIAL

50% cotton, 50% Nylon

SIZES

4,5 m, 2,5m





Vintage Brown Sports Bag

A structured travel bag made from the finest full-grain leather, blending vintage athletic heritage with modern luxury and durability.

MATERIAL

Finest Natural leather
- thickness 0,8-1 mm

Vintage Brown MNS Cosmetic Bag

Vintage Brown WMS Cosmetic Bag

A minimalist pouch crafted from full-grain leather, combining clean lines, smooth functionality, and refined everyday utility.

MATERIAL

Finest Natural leather
- thickness 0,8-1 mm





320

Vintage Brown Boxing Bag

A heavy bag inspired by classic boxing gyms of the 1960s, crafted from premium full-grain leather and finished with hand-stitched detailing. Its vintage silhouette, reinforced seams, and naturally aged texture evoke the era of Muhammad Ali while delivering modern durability and performance. Each piece is made by skilled artisans, creating a timeless training icon for both functional use and refined interior display.

MATERIAL

Finest Natural leather
- thickness 0,8-1 mm

WEIGHT

40 kg



Vintage Brown Dumbbells

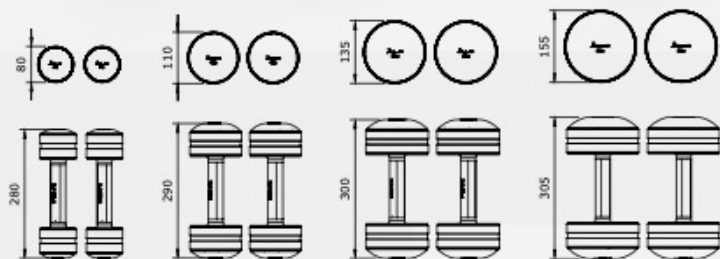
Precision-balanced dumbbells with a distinctive Pent silhouette, crafted from meticulously selected premium materials. Their sculptural form and full-grain leather detailing deliver exceptional grip and control. A modern classic infused with the spirit of Ali's discipline and dedication.

MATERIAL

Finest Natural leather
- thickness 0,8-1 mm

AVAILABLE WEIGHTS

4kg | 8kg | 12kg | 16kg



Vintage Brown Push-up Bars

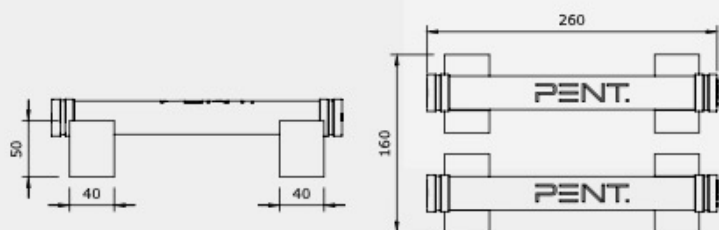
Ultra-stable push-up bars crafted from precision-machined materials and finished with premium full-grain leather for a refined, tactile grip. Their elevated geometry reduces wrist strain, enhances range of motion, and ensures perfect stability during strength training. A minimalist, sculptural form that delivers both high performance and unmistakable luxury.

MATERIAL

Finest Natural leather
- thickness 0,8-1 mm

DIMENSIONS

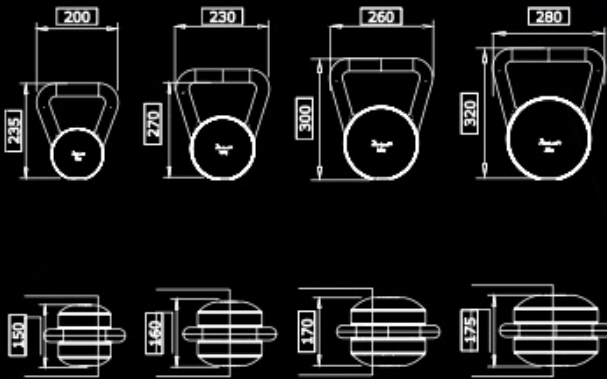
23 x 6,5 x 7 cm



Vintage Brown Kettlebell

A precision-cast kettlebell engineered for perfect balance, stability, and controlled movement. Its uniform weight distribution and refined handle geometry ensure secure grip transitions and smooth swing mechanics. A functional, sculptural training tool shaped by the discipline and precision that defined Ali.

MATERIAL	Finest Natural leather - thickness 0,8-1 mm + Natural wood, Stainless steel
AVAILABLE WEIGHTS	8kg, 12kg, 16kg, 20kg
DIAMETER	25 cm





Vintaeg Brown Set of Accessories with stand Dumbbells and Kettlebells

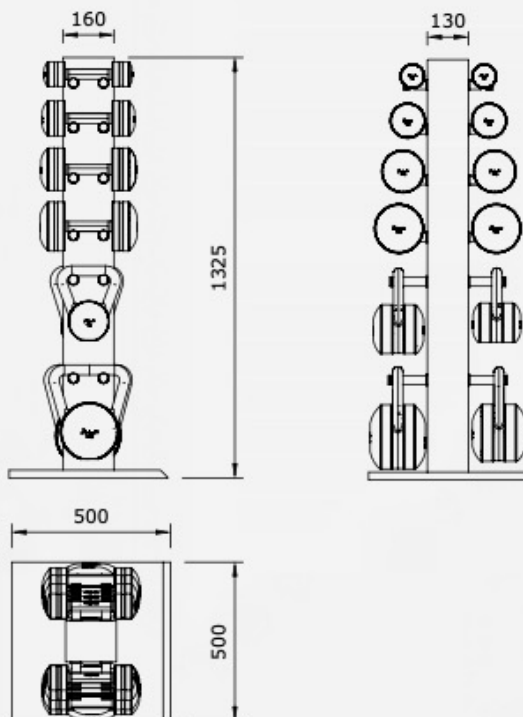
A refined training set combining precision-balanced dumbbells and kettlebells crafted with the signature Pent design language. Engineered for stability, control, and long-lasting performance, each piece features a sculptural silhouette and meticulously selected materials. Its elegant character and clean lines make the set a standout element in any training environment — and sophisticated enough to be displayed proudly in a luxury living room, where it becomes part of the interior rather than just equipment.

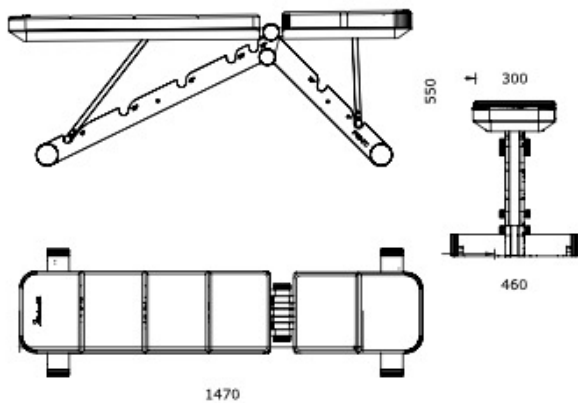
MULTI SET DUMBBELLS

4kg, 8kg, 12kg, 16kg

KETTLEBELLS

8kg, 12kg, 16kg, 20kg





Vintage Brown Exercise Bench

The iconic Pent bench, known for its clean geometry and exceptional craftsmanship, now elevated with a subtle vintage finish. Hand-wrapped in premium full-grain leather with naturally aged tonality, it blends modern precision with classic boxing-era character. A timeless training essential that delivers stability, comfort, and unmistakable luxury.

MATERIAL

Finest Natural leather
+ Natural wood, Stainless steel

Vintage Brown Exercise Mat



A full-grain leather training mat inspired by the timeless aesthetics of classic boxing gyms. Its dense, supportive core ensures stability and comfort, while the naturally textured leather surface brings an authentic vintage character. Presented in an elegant protective case, it's a refined statement piece that echoes the era of Ali's legendary training.

Finest Natural leather
- thickness 0,8-1 mm
Eva Core

MATERIAL

DIMENSIONS

175 x 60 cm



Vintage Brown Stretching Block

A high-density stretching block measuring 12 x 21 x 7 cm, designed for stability, alignment support, and controlled mobility work. Crafted with a firm core and wrapped in premium full-grain leather, it offers a secure grip, precise positioning, and a refined, minimalist finish suitable for premium training spaces.

Finest Natural leather
thickness 0,8-1 mm
+ Wood core

MATERIAL

DIMENSIONS

12x21x7 cm



Vintage Brown Roller

A high-density stretching roller measuring 45 cm in length and 15 cm in diameter, engineered for deep muscle release and precise pressure distribution. Wrapped in premium full-grain leather with reinforced stitching, it offers firm stability, controlled mobility work, and a refined, minimalist aesthetic suitable for premium training environments.

Finest Natural leather
- thickness 0,8-1 mm
Eva Core

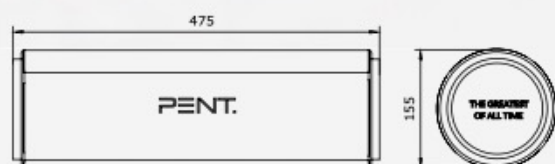
MATERIAL

LENGTH

467 mm

DIAMETER

15 cm





Vintage Brown Skipping Rope

A precision-balanced jump rope engineered for speed, footwork, and conditioning. Featuring weighted handles wrapped in premium full-grain leather and a smooth-rotation mechanism for consistent, high-intensity training. Inspired by Ali's legendary footwork, it comes with a handcrafted leather case for refined protection and travel-ready elegance.


MATERIAL

Finest Natural leather
- thickness 0,8-1 mm

LENGHT

275 cm* additional shortening





Vintage Brown Medicine Ball

Designed to echo the vintage training tools of Ali's era, it delivers modern performance wrapped in timeless, handcrafted luxury.

MATERIAL

Finest Natural leather
- thickness 0,8-1 mm

AVAILABLE WEIGHTS

4kg, 8kg, 12kg, 16kg
20kg, 24kg